

22nd International Water Management Exhibition

May 23-25, 2023 PVA EXPO PRAHA

Organizer and professional guarantee:
Sovak CR – Water Supply and Sewerage
Association of the Czech Republic



Organizer: **EXPONE**

Exponex s.r.o., Janouškova 1a, 613 00 Brno, Czech Rep.
Phone: +420 547 210 864, +420 731 426 866
E-mail: vod-ka@exponex.cz
www.vystava-vod-ka.cz

ID: 29222338, Tax ID: CZ29222338
Commercial register: Krajský soud v Brně Sec. C,
File 66744

BASIC INFORMATION

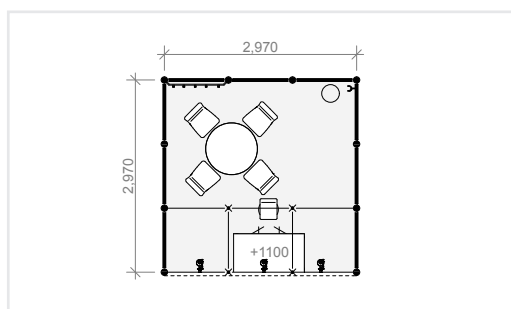
- ✓ Exposition will be ready at 3.00 p.m. one day before Exhibition opening.
- ✓ Dismantling begins immediately after the end of the Exhibition (i.e. after opening hours for visitors). The exhibitor shall remove his items incl. exhibits and hand over the stand to the Organizers by 9.00 p.m. of the final exhibition day at latest.
- ✓ It is possible to order extra furniture, graphics and other equipment and supplies according to Organizer's offer and prices (see the services form).

DESCRIPTION OF INDIVIDUAL MODEL STANDS

! The power supply is not part of this offer, it must be ordered separately according to the needs of the exhibitor.

**PLEASE ORDER INDIVIDUAL
MODEL STANDS OF YOUR
CHOICE VIA A-APPLICATION
FOR PARTICIPATION FORM.**

MODEL EXPOSITION **A** 9 SQM ROW STAND, 3x3 M | PRICE: 45.500 CZK + VAT



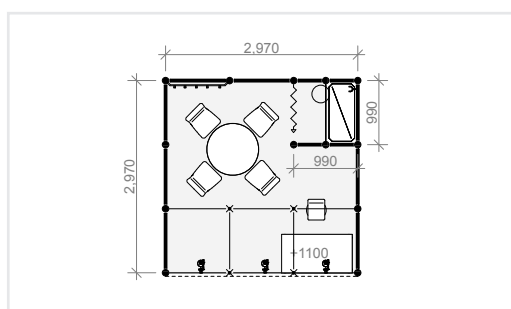
STAND EQUIPMENT

- 1x 80 cm round table
- 4x chair
- 1x bar stool
- 1x information desk (100x50cm, height 110 cm), lockable flap
- 1x coat rack
- 1x wastepaper basket
- 3x spotlight
- 1x 230V socket (1kW)
- carpet (color of your choice from the catalogue offer)
- basic graphics on the stand fascia (black and white sign up to 15 characters)

- ✓ rental of 9 sqm space
- ✓ registration fee
- ✓ daily cleaning (each morning before opening hours)
- ✓ Exhibitor's basic data in the Exhibition catalogue and information system
- ✓ construction of exposition incl. equipment

The power supply must be ordered separately.

MODEL EXPOSITION **B** 9 sqm row stand, 3x3 m | price: 47.700 CZK + VAT



STAND EQUIPMENT

- 1x 80 cm round table
- 4x chair
- 1x bar stool
- 1x information desk (100x50cm, height 110 cm)
- 1x coat rack
- 1 x shelf
- 1x wastepaper basket
- 3x spotlight
- 1x 230V socket (1kW)
- carpet (color of your choice from the catalogue offer)
- basic graphics on the stand fascia (black and white sign up to 15 characters)

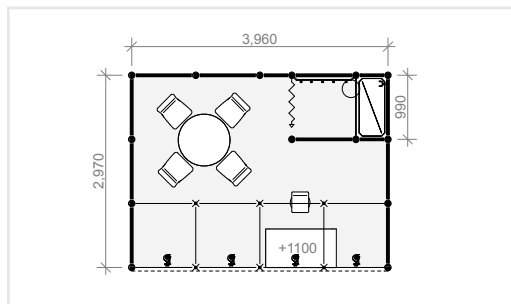
- ✓ rental of 9 sqm space
- ✓ registration fee
- ✓ daily cleaning (each morning before opening hours)
- ✓ Exhibitor's basic data in the Exhibition catalogue and information system
- ✓ construction of exposition incl. equipment

The power supply must be ordered separately.

MODEL EXPOSITION

C

12 SQM ROW STAND, 4X3 M | PRICE: 60.100 CZK + VAT



STAND EQUIPMENT

- 1x 80 cm round table
- 4x chair
- 1x bar stool
- 1x information desk (100x50cm, height 110 cm)
- 1x coat rack
- 1x shelf
- 1x wastepaper basket
- 4x spotlight
- 1x 230V socket (1kW)
- carpet (color of your choice from the catalogue offer)
- basic graphics on the stand fascia (black and white sign up to 15 characters)

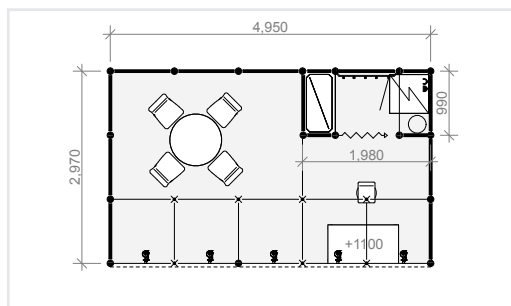
The power supply must be ordered separately.

- ✓ rental of 12 sqm space
- ✓ registration fee
- ✓ daily cleaning (each morning before opening hours)
- ✓ Exhibitor's basic data in the Exhibition catalogue and information system
- ✓ construction of exposition incl. equipment

MODEL EXPOSITION

D

15 SQM ROW STAND, 5X3 M | PRICE: 73.700 CZK + VAT



STAND EQUIPMENT

- 1x 80 cm round table
- 4x chair
- 1x bar stool
- 1x information desk (100x50cm, height 110 cm)
- 1x coat rack
- 1x shelf
- 1x wastepaper basket
- 1x refrigerator + night electricity supply
- 5x spotlight
- 1x 230V socket (1kW)
- carpet (color of your choice from the catalogue offer)
- basic graphics on the stand fascia (black and white sign up to 15 characters)

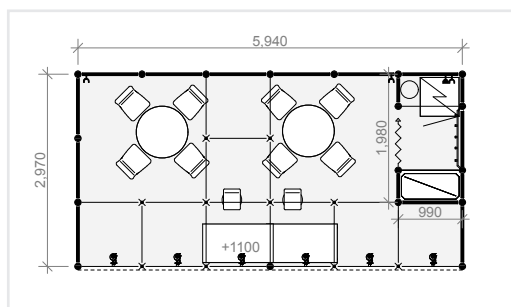
The power supply must be ordered separately.

- ✓ rental of 15 sqm space
- ✓ registration fee
- ✓ daily cleaning (each morning before opening hours)
- ✓ Exhibitor's basic data in the Exhibition catalogue and information system
- ✓ construction of exposition incl. equipment

MODEL EXPOSITION

E

18 SQM ROW STAND, 6X3 M | PRICE: 87.400 CZK + VAT



STAND EQUIPMENT

- 2x 80 cm round table
- 8x chair
- 2x bar stool
- 2x information desk (100x50cm, height 110 cm)
- 1x coat rack
- 1x shelf
- 1x wastepaper basket
- 1x refrigerator + night electricity supply
- 6x spotlight
- 3x 230V socket (2kW)
- carpet (color of your choice from the catalogue offer)
- basic graphics on the stand fascia (black and white sign up to 15 characters)

The power supply must be ordered separately.

- ✓ rental of 18 sqm space
- ✓ registration fee
- ✓ daily cleaning (each morning before opening hours)
- ✓ Exhibitor's basic data in the Exhibition catalogue and information system
- ✓ construction of exposition incl. equipment